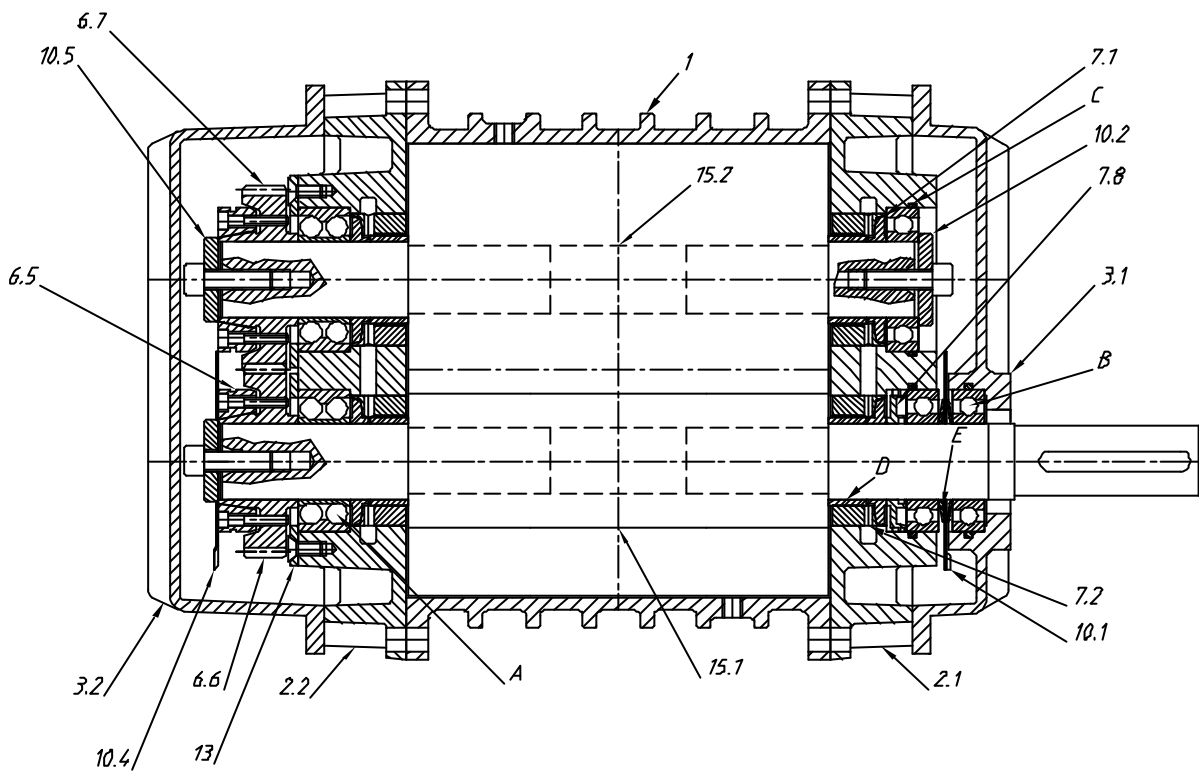




BLOWER SECTION AND PART LISTING



1	Case	10.2	Washer - drive side
2.1	Cover - drive side	10.4	Lubricating disk - gear side
2.2	Cover - gear side	10.5	Washer - gear side
3.1	Carter - drive side	13	Bearing cover
3.2	Carter - gear side	15.1	Rotor - driving
6.5	Clamping ring	15.2	Rotor - driven
6.6	Driving gear	A	Bearing - gear side
6.7	Driven gear	B	Bearing - drive side
7.1	Centrifuge ring	C	OR
7.2	Seal	D	INA ring
7.8	Extractor	E	Cup spring
10.1	Lubricating disk - drive side		